



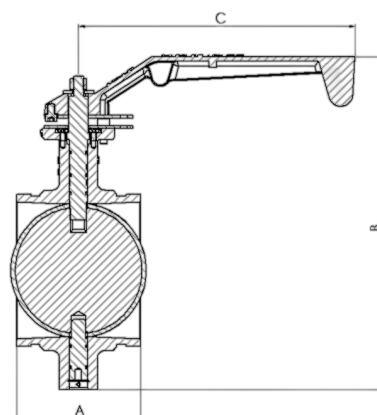
BUTTERFLY VALVES - GROOVED

Specifications

Extremely rugged; Simple to install and operate
Handwheel and gearbox available on request
No lubrication necessary; Low maintenance cost
Throttling facility by using the optional multi-stop handle
Easy adaptation to flanged pipe lines
Sizes 350mm and up only available with a hand wheel gear

Materials of Construction

Body	Ductile Iron
Handle	Mild steel 90° rotating or multi-stop (MS)
Shaft	Stainless Steel
Disc	NBR
Bushing	PTFE
Liner and O-Ring	EPDM
Coating	Fusion Bonded Epoxy (RAL9005 gloss)



Size (Inch)	Handle	Lockable	A (inch)	B (inch)	C (inch)	Item Number
2" GR	90°	•	3.346	5.70	6.456	0286032
4" GR	90°	•	3.740	9.055	8.267	0287032
6" GR	90°	•	5.510	14.566	12.007	0289132
2" GR	M/S	•	3.346	5.700	6.456	0285932
4" GR	M/S	•	3.740	9.055	8.267	0287932