



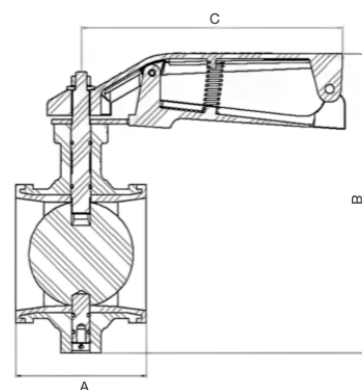
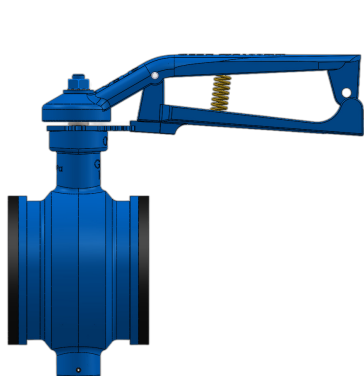
## BUTTERFLY VALVES - SHOULDERED

### Specifications

Designed to meet international standards
Extremely rugged
Simple to install and operate
No lubrication necessary
Low maintenance cost
Throttling facility by using the optional multi-stop handle
Easy adaptation to flanged pipe lines
Corrosion and abrasion resistant
Working temperature between -20°C and 80°C

### Materials of Construction

<b>Body</b>	Ductile Iron
<b>Handle</b>	90° rotating, multi-stop handle (MS) or handwheel (HW)
<b>Spindle</b>	316 Stainless Steel
<b>Disc</b>	Ductile iron (DI), stainless steel (SS) or NBR disc
<b>Seats</b>	NBR rubber or FBE
<b>Coating</b>	Painted and NBR lined or FBE body (RAL5005 gloss)



Size (mm)	Handle	Lockable	Disc	A (mm)	B (mm)	C (mm)	Working Pressure (kPa)	Item Number
50	90°		SS	84	178	162	2500	0280432
50	MS		SS	84	196.5	157	2500	0285432
100	90°		DI	115	268	210	2500	0282132
100	90°		SS	115	268	210	2500	0282432
100	MS		DI	115	308	234	2500	0287132
100	MS	•	DI	115	308	234	2500	0287142
100	MS		SS	115	308	234	2500	0287432
100	HW		DI	115	360	160	2500	0293632
100	HW		SS	115	360	160	2500	0293732
150	90°		DI	145	372	305	2500	0283132
150	MS		DI	145	372	305	2500	0288132
150	MS		SS	145	372	305	2500	0288432
150	HW	•	DI	145	420	160	2500	0294632
150	HW	•	SS	145	420	160	2500	0294732
200	90°		DI	135	420	565	2000	0284232
200	MS		DI	135	462	498	2000	0289932
200	MS	•	SS	135	462	498	2000	0290032
200	HW	•	SS	135	542	250	2000	0290732