



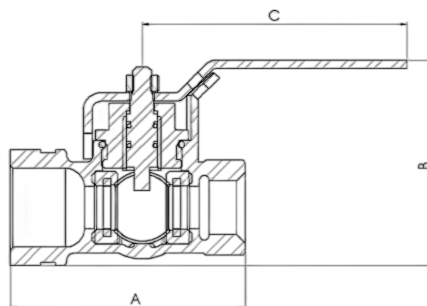
BALL VALVE - FEMALE TO GROOVED and GROOVED TO GROOVED

Features and advantages

Floating Ball Design for improved sealing and higher pressure
Bi-directional operation
Compact valve with minimum parts
Full bore design reduces turbulence and decreases pressure drop through valve
Robust cast body
Spindle designed to prevent possibility of blow out
Handles replaced easily by removing nut
Working temperature of -4°F to 180°F

Materials of construction

Body and Caps	Ductile Iron
Handle	Rotating, Mild Steel
Spindle	Stainless Steel (SS)
Seats	Reinforced, NBR seats
Ball	Stainless Steel
Fasteners	4.8 Carbon Nut and Spring Washer
Coating	Painted black (RAL9005 gloss)



Description	Handle	Lockable	Spindle	A (Inch)	B (Inch)	C (Inch)	Pressure PSI	Item number
2" Grooved to 1" Female NPT thread	360°		SS	4.724	4.528	5.000	785	0162232
2" Grooved to 1" Female NPT thread	90°		SS	4.724	4.528	5.315	785	0162332
2" Grooved to 1" Female NPT thread	90°	•	SS	4.724	4.528	5.315	785	0162342
2" Grooved to 2" Grooved	90°	•	SS	5.315	5.708	6.889	590	BA500GGL
3" Grooved to 3" Grooved	90°	•	SS	8.858	8.858	7.678	390	0194342
4" Grooved to 4" Grooved	90°	•	SS	11.023	11.023	7.678	305	0195142

* SS = Stainless Steel