



## BALL VALVE - NPT SIDE ASSEMBLED

### Features and advantages

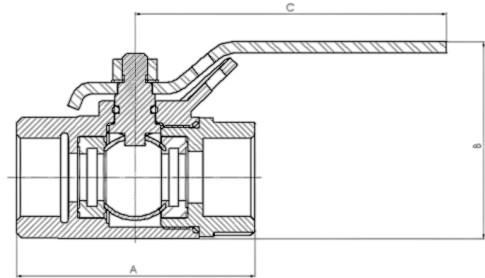
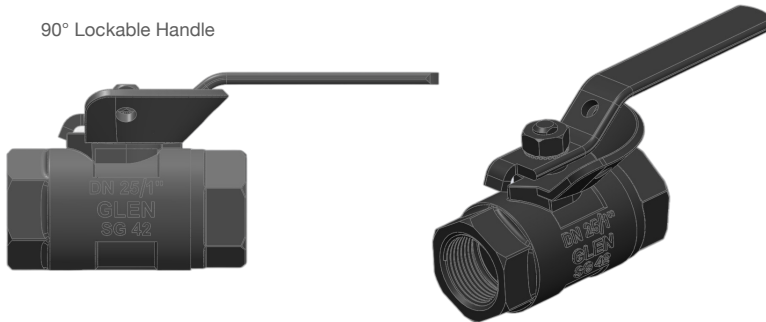
Floating Ball Design for improved sealing and higher pressure
Bi-directional operation
Compact valve with minimum parts
Full bore design reduces turbulence and decreases pressure drop through valve
Robust cast body
Spindle designed to prevent possibility of blow out
Handles replaced easily by removing nut
Working temperature of -4°F to 180°F

### Materials of construction

Body and Caps	Ductile Iron
Handle	Rotating, Mild Steel
Spindle	Stainless Steel (SS) / Mild Steel (MS)
Seats	Reinforced, NBR or Polyurethane
Ball	Stainless Steel
Fasteners	4.8 Carbon Nut and Spring Washer
Coating	Painted black (RAL9005 gloss)



90° Lockable Handle



Description	Handle	Lockable	Spindle	A (Inch)	B (Inch)	C (Inch)	Pressure PSI	Item number
½" Female to Female NPT thread	90°	•	SS	3.72	3.01	4.75	500	BA150CCL
¾" Female to Female NPT thread	90°	•	SS	3.72	3.01	4.75	785	BA200CCL
1" Female to Female NPT thread	90°	•	SS	3.72	3.01	4.75	785	BA250CCL
1 ¼" Female to Female NPT thread	90°	•	SS	4.07	3.60	4.75	785	BA320CCL
1 ½" Female to Female NPT thread	90°	•	SS	4.07	3.60	4.75	785	BA400CCL
2" Female to Female NPT thread	90°	•	SS	5.70	5.90	6.77	590	BA500CCL



## BALL VALVE - NPT TOP ASSEMBLED

### Features and advantages

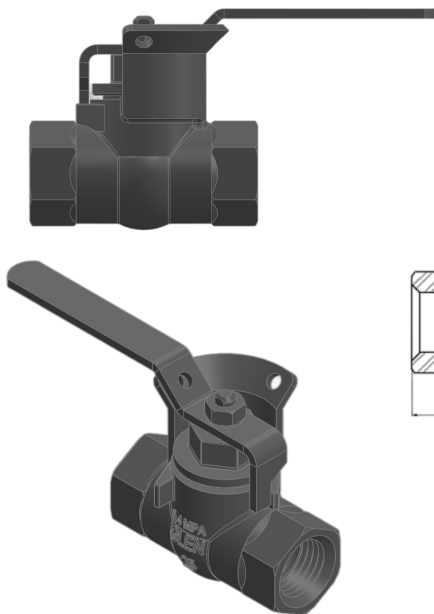
Floating Ball Design for improved sealing and higher pressure
Bi-directional operation
Compact valve with minimum parts
Full bore design reduces turbulence and decreases pressure drop through valve
Robust cast body
Spindle designed to prevent possibility of blow out
Handles replaced easily by removing nut
Working temperature of -4°F to 180°F

### Materials of construction

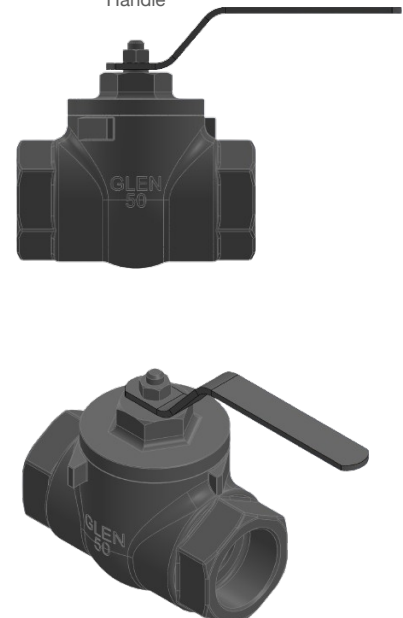
Body and Caps	Ductile Iron
Handle	Rotating, Mild Steel
Spindle	Stainless Steel (SS) / Mild Steel (MS)
Seats	Reinforced, NBR or Polyurethane
Ball	Stainless Steel
Fasteners	4.8 Carbon Nut and Spring Washer
Coating	Painted black (RAL9005 gloss)



90° Lockable Handle



360° Non-lockable Handle



Description	Handle	Lockable	Spindle	A (Inch)	B (Inch)	C (Inch)	Pressure PSI	Item number
1" Female to Female NPT thread	360°		MS	4.331	4.370	4.843	785	0183132
1" Female to Female NPT thread	90°		SS	4.331	4.370	4.843	785	0161732
1" Female to Female NPT thread	90°	•	SS	4.331	4.449	5.472	785	0161742
2" Female to Female NPT thread	90°		SS	6.732	6.693	6.732	600	0163932
2" Female to Female NPT thread	360°		SS	5.512	6.102	6.496	600	0191042
3" Female to Female NPT thread	360°	•	MS	8.858	8.858	7.677	400	0194142