



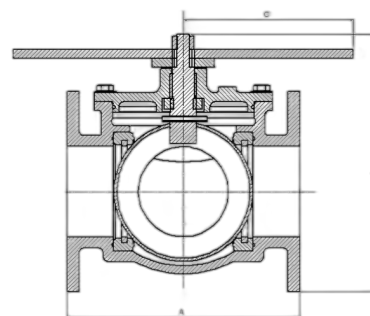
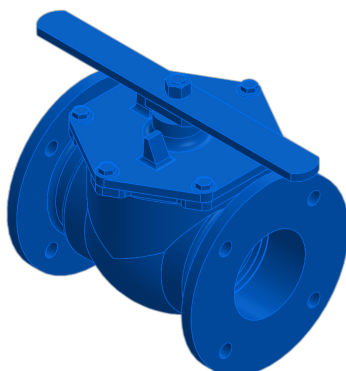
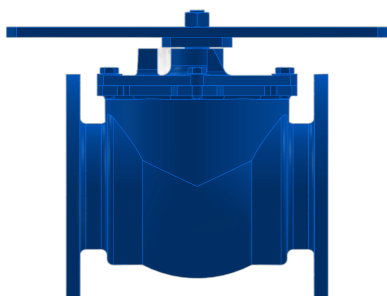
BALL VALVES - FLANGED

Specifications

Floating Ball Design for improved sealing and higher pressure
Flange Drilling to 1000/3, 1600/3, Table D
Bi-directional operation
Compact valve with minimum parts
Full bore design reduces turbulence and decreases pressure drop through valve
Robust cast body
Spindle designed to prevent possibility of blow out
Handles replaced easily by removing nut
Lockable and non-lockable available
Working temperature between -20°C and 80°C

Materials Of Construction

Body and Cap	Ductile Iron
Handle	Rotating, Mild Steel
Spindle	Stainless Steel (SS) / Mild Steel (MS)
Seats	Reinforced, NBR
Ball	Stainless Steel
Fasteners	4.8 Carbon Nut and Spring Washer
Coating	Painted blue (RAL5005 gloss)



Size (mm)	Flange Drilling	Handle	Spindle	A (mm)	B (mm)	C (mm)	Working Pressure (kPa)	Item Number
50	1000/3	360°	MS	175	178	190	4000	0191532
50	1600/3	360°	MS	180	178	190	4000	0192032
50	Table D	360°	MS	175	178	190	4000	0191432
80	1000/3	360°	SS	218	190	215	2700	0194832
80	1600/3	360°	SS	220	190	215	2700	0194532
80	Table D	360°	SS	209	190	215	2700	0194432
100	1000/3	360°	MS	262	275	195	2700	0195932
100	1600/3	360°	MS	266	275	195	2700	0195732
100	Table D	360°	MS	262	275	195	2700	0195232