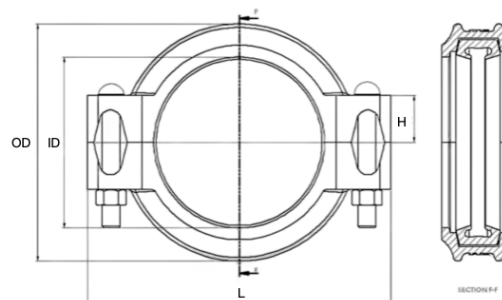
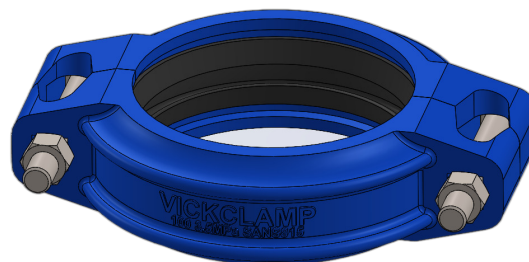


CLAMPS AND GASKETS - SHOULDERED CLAMPS

Materials Of Construction	
Body	Ductile Iron
Gasket	NBR
Fasteners	8.8 Electro Galvanized Carbon Steel
Standard	Manufactured to SANS815



OPTIONS

DN (mm)	Pipe OD (mm)	Working Pressure (kPa)	Bolt Size (mm)	OD (mm)	ID (mm)	L (mm)	H (mm)	Item Number
50	60.3	4000	M12x65	102	61	145	48	0805021RI
100	114.3	3500	M12x90	162	115.6	210	52	0810021RI
150	165.1	3500	M16x115	220	167	280	55	0815021RI
200	219.1	3000	M16x115	280	221	346	60	0820021GP
250	273	2500	M16x115	342	275	416	64	0825021GP

SPARE GASKETS

Size (mm)	Description	Item Number
50	50mm Shouldered Gasket S.O.R.	0305021
100	100mm Shouldered Gasket S.O.R.	0310021
150	150mm Shouldered Gasket S.O.R.	0315021
200	200mm Shouldered Gasket S.O.R.	0320021
250	250mm Shouldered Gasket S.O.R.	0325021

* Replacement gaskets and fasteners available on request.